

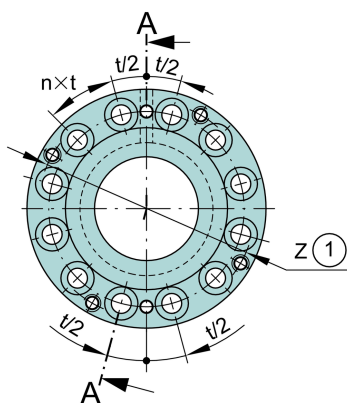
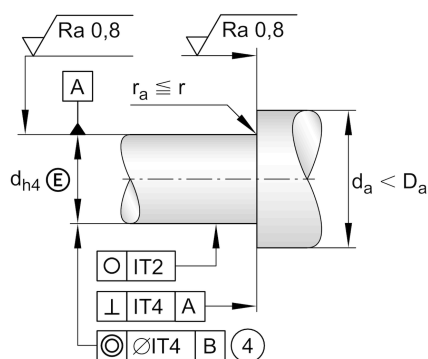
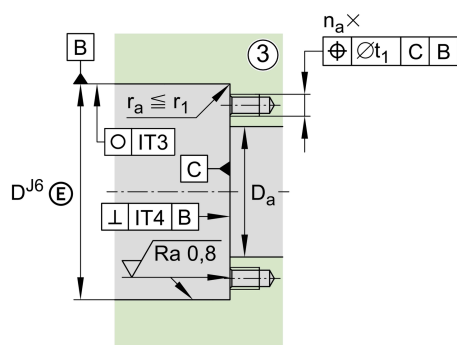
ZARF50140-TV

Needle roller/axial cylindrical roller bearing

Schaeffler ID:
0016831790000

Needle roller/axial cylindrical roller bearings ZARF, double direction, for screw mounting

Technical information

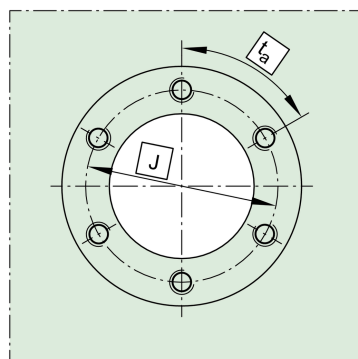
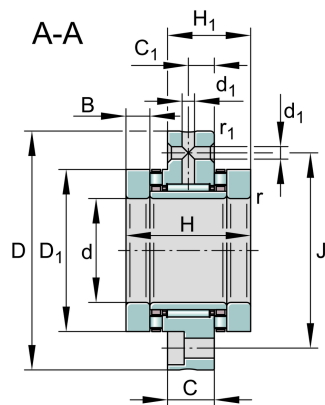


Main Dimensions & Performance Data

d	50 mm	Bore diameter
D	140 mm	Outside diameter
H	82 mm	Height
C _r	46,500 N	Basic dynamic load rating, radial
C _{0r}	103,000 N	Basic static load rating, radial
C _a	172,000 N	Basic dynamic load rating, axial
C _{0a}	480,000 N	Basic static load rating, axial
C _{ur}	12,700 N	Fatigue load limit, radial
C _{ua}	44,500 N	Fatigue load limit, axial
n _{G Grease}	1,100 1/min	Limiting speed for grease lubrication
n _{G Oil}	3,100 1/min	Limiting speed for oil lubrication
M _{RL}	3.8 Nm	Bearing friction torque
	4.086 kg	Weight

Dimensions

H ₁	51 mm	Height outer ring over wave washer
c _{aL}	4,600 N/µm	Rigidity axial
c _{kL}	2,900 Nm/mrad	Tilting stiffness
C	22.5 mm	Width, outer ring
	1 µm	Axial runout
C ₁	12.5 mm	Distance to lubrication hole
D ₁	95 mm	Rip diameter shaft washer
M _A	180 Nm	Tightening torque nut
	36,224 N	Preload force axial
B	17.5 mm	Width, inner ring
r _{min}	0.3 mm	Minimum chamfer dimension
r _{1 min}	0.6 mm	Minimum chamfer dimension
d ₁	6 mm	Diameter lubrication hole
J	113 mm	Pitch circle diameter (holes)
n x t	30 °	Split
t ₁	0.2 mm	Position bore in the housing



Mounting dimensions

$D_{a \max}$	96 mm	Maximum diameter of housing shoulder
$d_{a \min}$	75 mm	Minimum diameter shaft shoulder
	ZMA50/92	Locknut 1
	AM50	Locknut 2
n	12	Number (screwing holes)
	M10	Screw size
M_M	29.8 kg * cm ²	Mass moment of inertia
n	12	Number of screws
na x ta	30 °	Division (screwing holes)